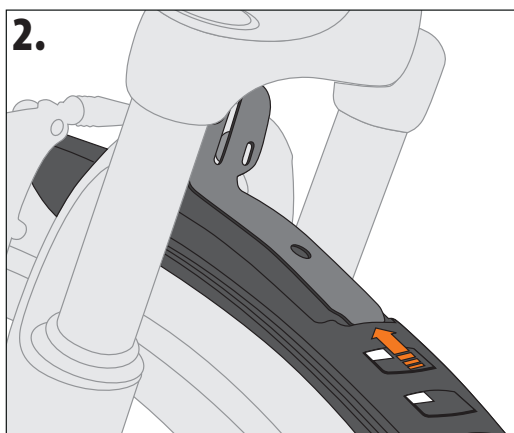
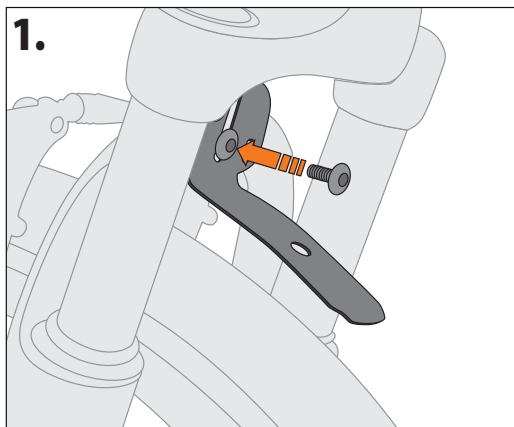
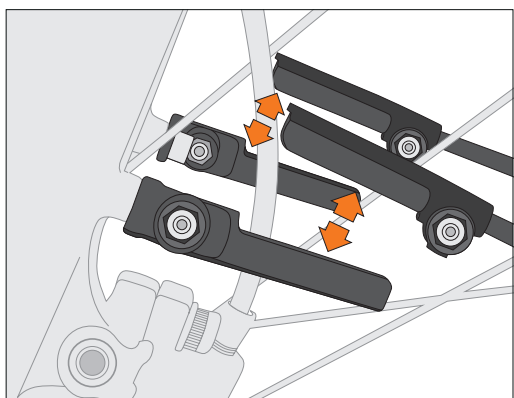
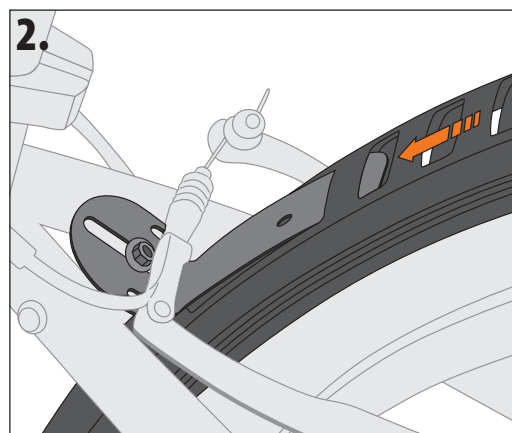
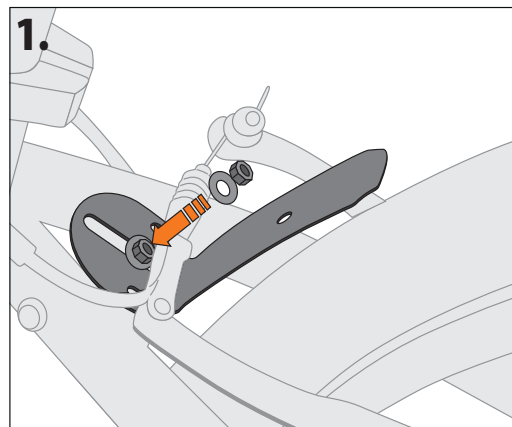


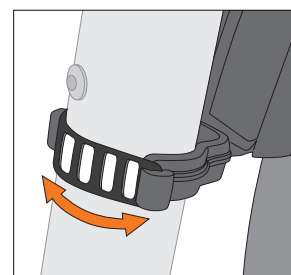
FRONT



REAR



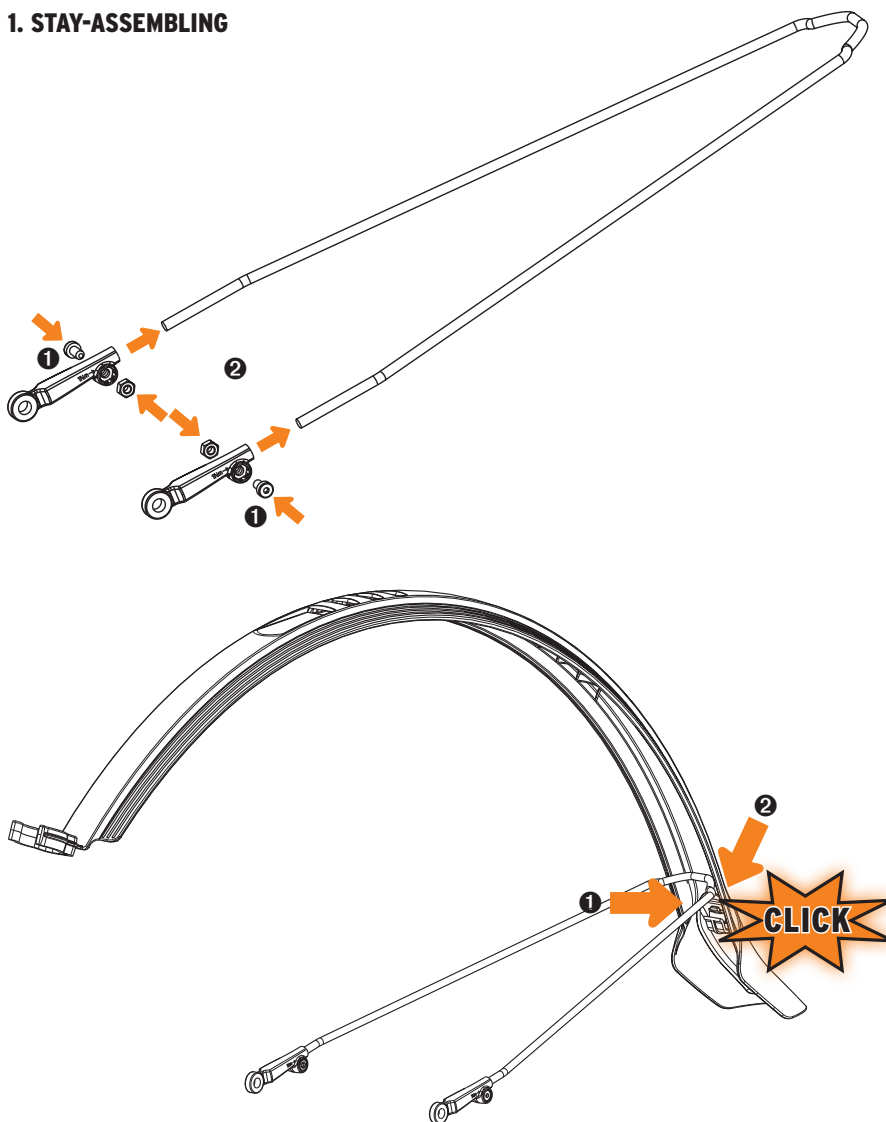
The ESC-system prevents locking of the front wheel when a foreign body should be caught between tyre and mudguard. The stays release in such a case automatically. These can be pressed in again afterwards.



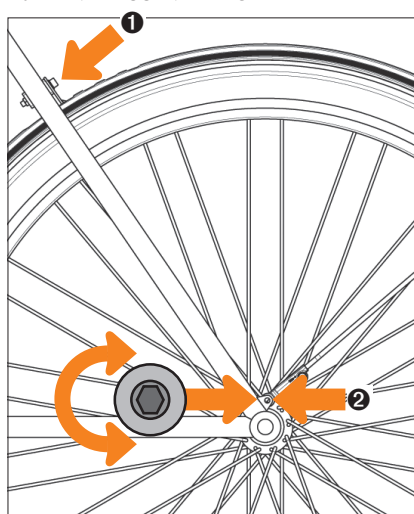
EN. VELO 42 URBAN incl. stays

Easy to mount 26"-28" mudguard set for front and rear. Snap-in stainless for extra secure mounting. Suitable for frame tubes of 25-35 mm diameter.

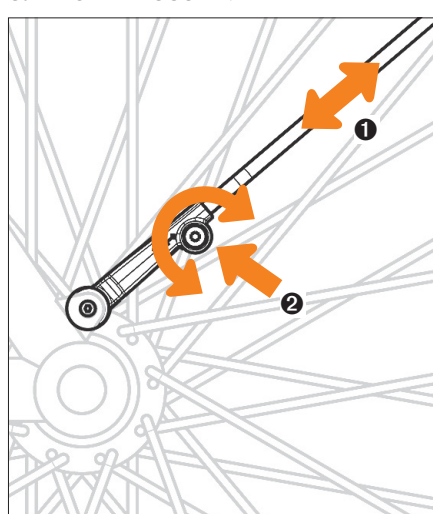
1. STAY-ASSEMBLING



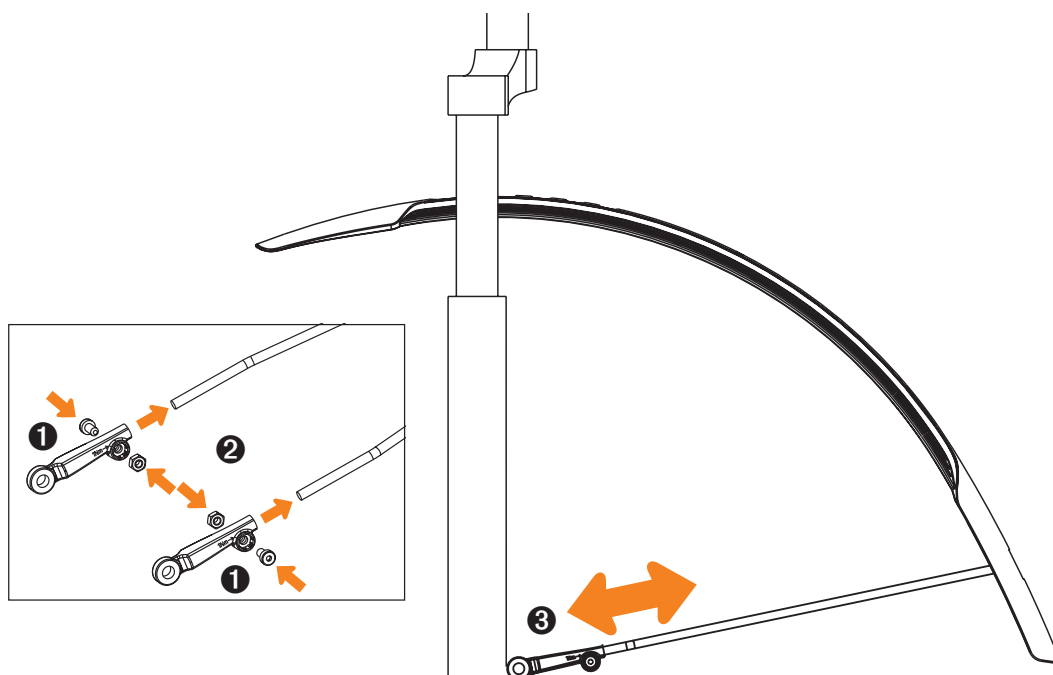
2. FRAME-ASSEMBLING



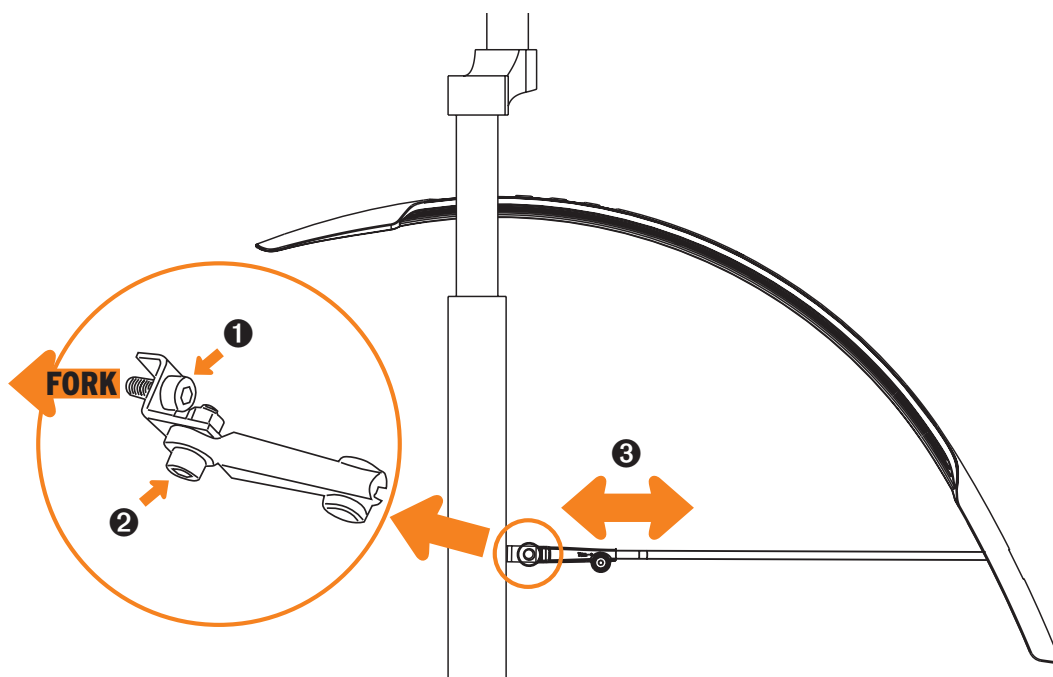
3. LENGHT-ADJUSTEMENT



ASSEMBLING FRONT WHEEL



ASSEMBLING AT SUNTOUR SUSPENSION FORK



EN. VELO 42 URBAN incl. stays

U-stay Suntour not included in the scope of delivery.